

RX-2 Plug-In Receiver Instructions

Thank you for purchasing the ATA RX-2 SecuraCode® Plug-In Receiver. It is the perfect solution for upgrading an existing opener to use ATA's SecuraCode® transmitters without replacing the entire opener. Familiarise yourself with the following instructions prior to commencing set up. Store this information in a safe place for future reference.

OPERATION

The RX-2 receiver has transistors on board which provide an open collector contact for controlling virtually any electronic garage door or gate.

The designated controls are as follows:

- SW-1 - Door open/stop/close or gate full access.
- SW-2 - Courtesy light or gate pedestrian access.

CONNECTING RECEIVER TO CONTROL BOARD

For CB-7 (GDO-4 EasyRoller®)

1. Turn power off.
2. Remove existing PE Shunt (if present).
3. Connect PE Shunt plug (as per diagram) to PE input.
4. Connect plug with three wires to O/S/C input.
5. Connect six pin wiring harness plug to receiver.
6. Turn power on.

For CB-8 (GDO-2 SecuraLift®)

1. Turn power off.
2. Remove existing PE Shunt (if present).
3. Connect PE Shunt plug (as per diagram) to PE input.
4. Connect three wire plug to O/S/C input.
5. Connect six pin wiring harness plug to receiver.
6. Turn power on.

Note: Where a PE Beam is fitted - cut PE shunt from wiring harness and connect remaining wire to PE power (PIN 1).

For CB-9 (SGO-1 Elite Swing Gate and SGO-2 EasySlider)

1. Remove existing receiver.
2. Connect new RX-2 receiver in its place.

Note: If the RX-2 is to be connected to a non ATA control board use the following wiring connection:

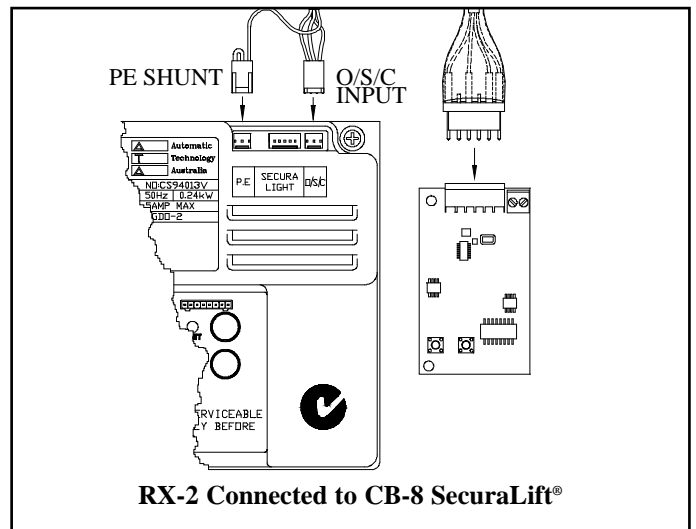
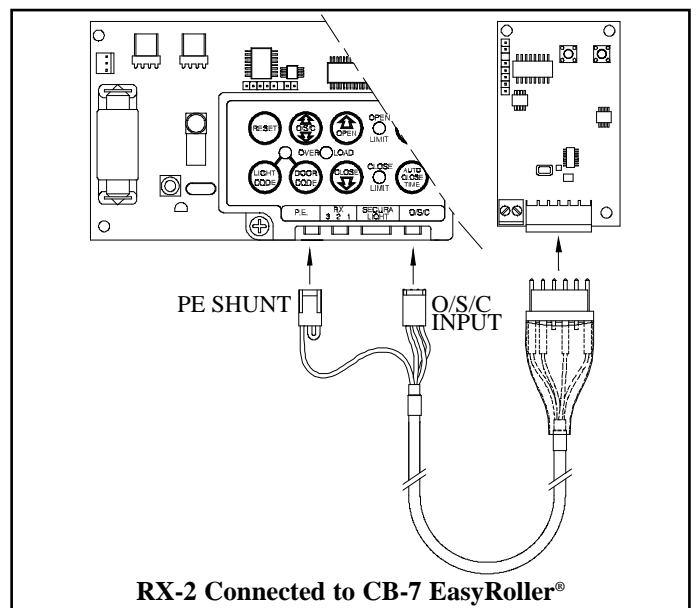
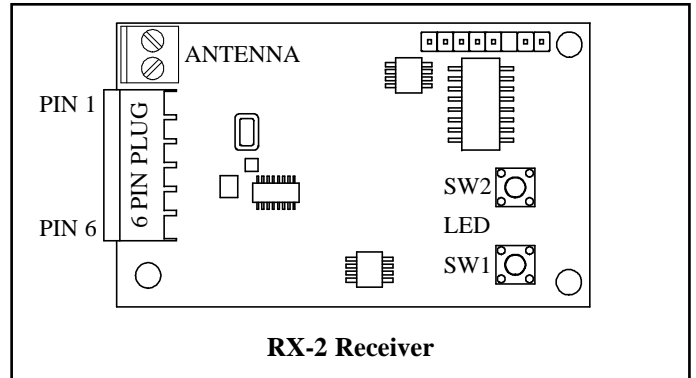
- PIN 1** - Open Collector for SW1
- PIN 2** - 9-24V DC +
- PIN 3** - Not Connected (antenna on 27MHz model)
- PIN 4** - Open Collector for SW2
- PIN 5** - Ground 0V
- PIN 6** - Ground 0V

STORING TRANSMITTER CODE

Make sure to install the battery in the transmitter correctly.

1. Press and hold SW1 or SW2 on the receiver board.
2. Press the transmitter button you would like to use to control the device for two seconds.
3. Release and pause for two seconds. Press the same button again for two seconds.
4. Release SW button.
5. Press the transmitter to test operation.

Note: To remove a single transmitter's code from the receiver memory repeat steps 1-5 above.



DELETING ALL STORED TRANSMITTER CODES

1. Turn the power off to the receiver.
2. Press and hold SW1 button.
3. Turn the power on again, while holding SW1. The Coding LED will illuminate to indicate that the receivers memory has been cleared.
4. Release the button. All the stored codes should now be deleted. Confirm this by pressing the transmitters previously used to operate the device. There should be no response.

SPECIFICATIONS

Power Supply:	9V-24V DC
Frequency:	433.92MHz
Memory Capacity:	111 Transmitters
Controlling Outputs:	2 x Open Collector (Sink 50mA Max.)
Antenna Wire Length**:	170mm

** An optional co-axial antenna is available for use with the receiver in difficult reception areas. The antenna has to be mounted as high as possible so that it is not obstructed, e.g. on top of a fence, or on a wall at the front of a garage, etc. Connect the core of co-axial lead to replace the existing antenna wire (outer screw socket). Connect shield to the spare (inner) screw socket.

ATA DIGITAL PROGRAMMER

For installations where a significant number of transmitters are accessing the one device it may be beneficial to use ATA's digital programmer for site administration. The user can allocate names to transmitter users and remove or disable them as required without having to clear the entire memory.

WARRANTY

Subject to all of the matter set out below, Automatic Technology Australia Pty Ltd ("ATA") warrants for twelve (12) months from the date of purchase (specified in the tax invoice receipt) that the RX-2 Receiver (the "Product") is free of any defects in material and workmanship rendering it unmerchantable.

This warranty referred to above applies only where:

a) the consumer seeking to rely on the said warranty;

1) returns the Product which it claims to be defective; and

2) presents the relevant sales docket and this warranty document, to the retailer from whom the Product was purchased to confirm that date of purchase; and

b) the purchaser notified ATA or the retailer from whom the Product was purchased of the alleged defect in the Product immediately upon experience or learning of the alleged defect.

Except for the warranty against defects in material and workmanship set out above, ATA gives no warranties of any kind whatsoever, whether express or implied or whether statutory or at common law, in relation to the Product, and all warranties of fitness for particular purpose and other warranties of whatsoever kind relating to the Product are hereby disclaimed. Without limiting the generality of the foregoing, ATA disclaims any liability of whatsoever nature in respect of any claim or demand loss or damage which arise out of;

a) accidental damage to or normal wear and tear to the Product or to the Product's components;

b) flood, rain, water, fire or lightning;

c) incorrect, improper or unreasonable maintenance and/or use;

d) installation, adjustment or use other than ATA which is not in accordance with the instructions set out in installation instructions incorporated in the document;

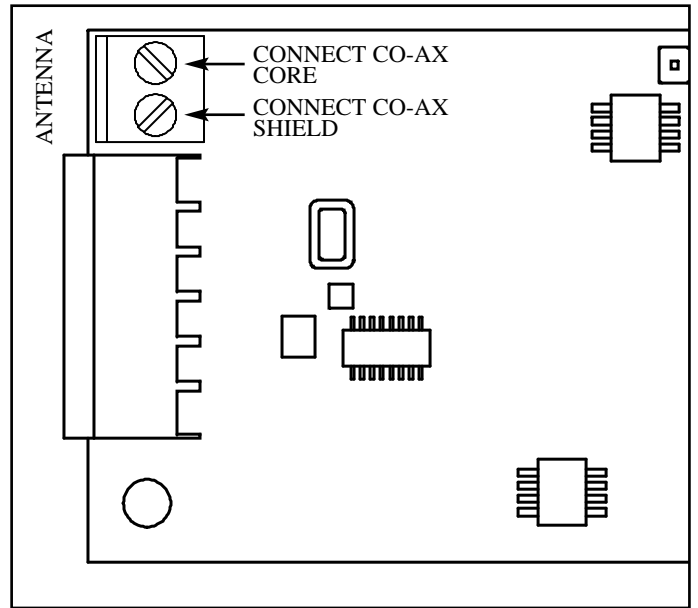
e) attempted or complete modification or repairs to the Product carried out by a person who is not authorised by ATA to carry out such modification or repairs;

f) radio (including citizen band transmission) or any electronic interference,

g) damage caused by electrical surges,

h) damage caused by insects.

ATA's liability under the warranty set out above is limited, at ATA's absolute option, to replacing or repairing the Product which ATA, in its unfettered opinion, considers to be defective either in material and/or workmanship or to credit the consumer with the price at which the Product was purchased by the consumer. Where the Product is retailed by any person other than ATA, except for the warranty set out above, such person has no authority from ATA to give any warranty or guarantee on ATA's behalf in addition to the warranty set out above.



Automatic Technology Pty Ltd
6-8 Fiveways Boulevard Keysborough Vic 3173 Australia
T: +61 3 97910200 F: +61 3 97910250
E: sales@ata-aust.com.au W: www.ata-aust.com.au